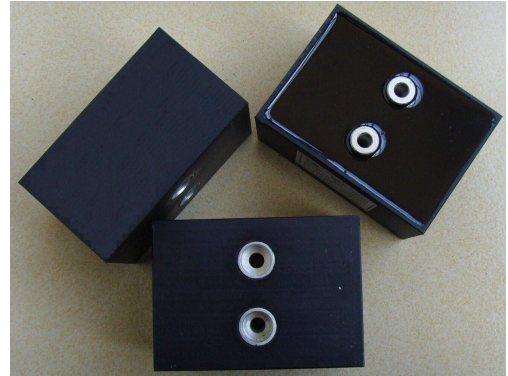


**▲ Application**

Snubber circuit power capacitor that fits IGBT terminal spacing for direct mounting, for across-the-buss power applications.

**▲ Characteristics**

- Dielectric: Polypropylene film
- Coating: Resistant plastic case with resin sealing.  
Flame retardant execution(UL 94V-0)
- Terminals: Uses screw down terminals instead of lead  
Compact case sizes/rugged monolithic
- Reduces inductance up to 90% – eliminates ESR as low as 0.003 OHMS
- Continuous current carrying capacity to 80 A
- High pulse current, high dv/dt
- Self healing



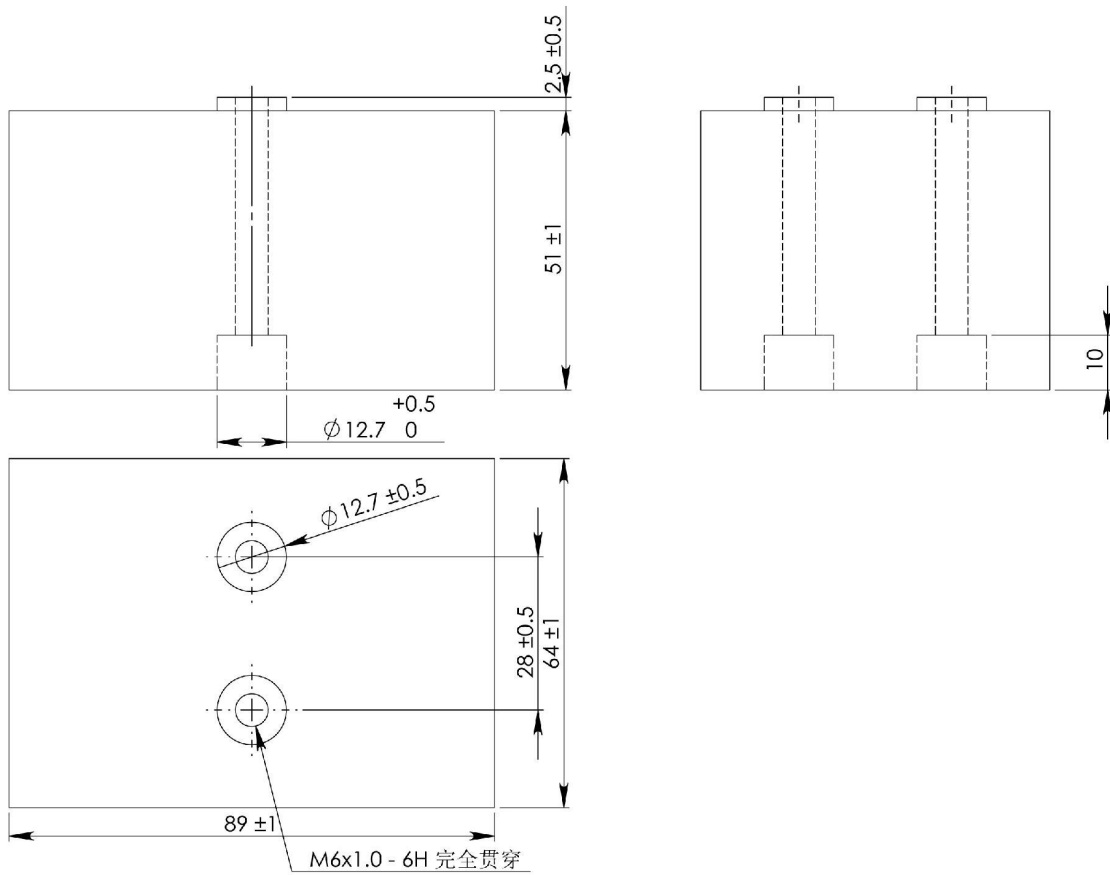
**▲ Specifications**

Reference standards	IEC 61071	
Operating temperature range	-40~105℃	
Capacitance	1.0~60μF	
Rated Voltage	400~4000VDC	
Tolerance	±5%, ±10%	
Test voltage between terminals	1.5Ur(DC) 60s 25±5℃	
Test voltage between terminals and case	3000V 50Hz 60S, 25±5℃	
Dissipation factor	Cr≤1.0μF tgδ≤5×10 <sup>-4</sup>	at 25±5℃ , 1KHz
	Cr>1.0μF tgδ≤6×10 <sup>-4</sup>	
Insulation resistance	C*IR≥10000S, at 100VDC,25±5℃,60S	
Life expectancy	100000h at Ur and 70℃	

**▲ Part Numbering System**

160	C9E	4560	*	1
Voltage	Type	Capacitance	Tolerance	Size
160=600vdc	C9E	3100=0.01uf	K= ±10%	1
210=1000vdc		4100=0.1uf	J= ±5%	2
212=1200vdc		5100=1.0uf		3
230=3000vdc		6100=10uf		

▲Outline drawing



▲Electrical specifications, ordering codes

Ordering Code	Cap (μF)	Is (A)	Tgδ0	Ls (nH)	Dv/dt (v/μs)	Ipeak (A)	Irms@25°C @10kHz(A)	Rs@10kHz (mΩ)
Un 600VDC				Urms 350VAC				
160C9E6300K1	30	5400	0.0002	<32	60	1800	45	3.0

\*Special design available to meet your requirements.