

▲FEATURES

- Widely used in AC filter
- Metallized polypropylene construction
- Lower ESR and ESL
- Self-healing property
- Long life time, small inherent temperature rise
- Filled with white resin, tinned copper nut (M6, M8, M10, M12)
- Non-inductive type
- RoHS compliance

▲APPLICATIONS

- Wind power and solar power

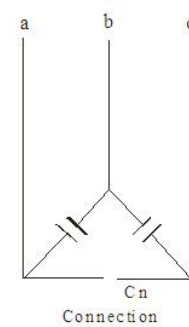
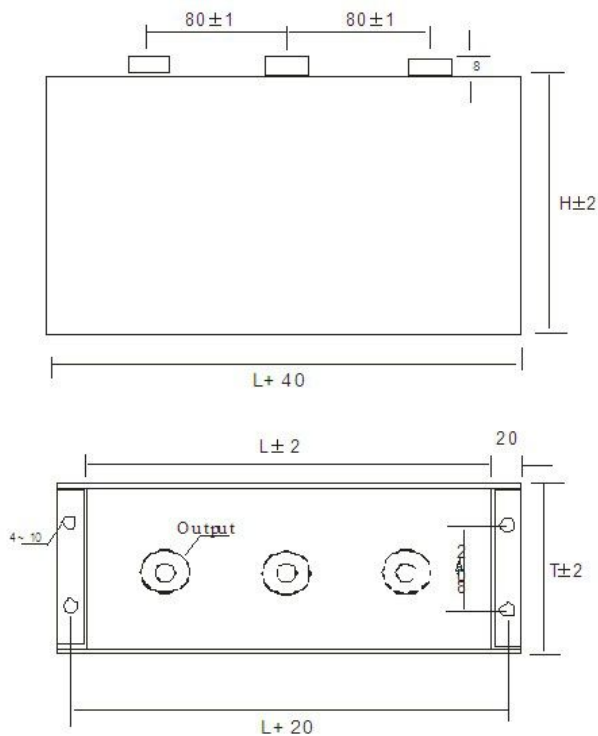
▲SPECIFICATIONS

- Reference standards IEC 61071
- Operating temperature range: $-40^{\circ}\text{C} \sim -85^{\circ}\text{C}$
- Storage temperature range: $-40^{\circ}\text{C} \sim -85^{\circ}\text{C}$
- Capacitance range: 3×50 to $3 \times 500\mu\text{F}$
- Capacitance tolerance: $\pm 5\%$, $\pm 10\%$
- Voltage range: 400 to 1200Vdc

▲TEST DATA

- Voltage between terminals: $1.5U_n$ 10s
- Voltage between terminals and case: $(1.5U_n + 1000)\text{Vac}$ 10s 50Hz
- Dissipation factor: 2.0×10^{-3} Measured at 100Hz 25°C
- Life expectancy 100 000 hours
- Insulation resistance: $C \times R_i \geq 5000\text{s}$ $CR > 0.33\mu\text{F}$ 100Vdc 25°C

▲Outline drawing



Case code : dimension in mm

Case code	L	B	H	C	ϕ	Output
B1	225	120	170	80	7	M8 x10
B2	225	120	235	100	7	M8 x10
B3	295	120	235	100	9	M10 x10
B4	365	120	235	120	9	M10 x10

▲Part Numbering System

140	BTK	3-200	K	B1
Voltage	Type	Capacitance	Tolerance	Size code
140=400vac	BTK	3-200=3*200uf	K=±10%	B1
185=850vac		3-300=3*300uf	J =±5%	B2
210=1000vac				B3

Cap uf	Irms max. A	ESR mΩ	Case code	Rth °C/W	Weight Kg	Part Number
400V ac						
3×200	3×70	3×0.95	B1	1.11	6.2	140BTK3-200KB1
3×300	3×90	3×0.88	B2	0.86	8.7	140BTK3-300KB2
3×400	3×120	3×0.83	B3	0.71	11.2	140BTK3-400KB3
3×500	3×160	3×0.80	B4	0.60	14.5	140BTK3-500KB4
500V ac						
3×120	3×50	3×1.01	B1	1.11	6.2	150BTK3-120KB1
3×180	3×70	3×0.92	B2	0.86	8.7	150BTK3-180KB2
3×240	3×100	3×0.86	B3	0.71	11.2	150BTK3-240KB3
3×300	3×120	3×0.83	B4	0.60	14.5	150BTK3-300KB4
550V ac						
3×90	3×30	3×1.86	B1	1.11	6.2	155BTK3-90KB1
3×135	3×60	3×1.49	B2	0.86	8.7	155BTK3-135KB2
3×185	3×80	3×1.28	B3	0.71	11.2	155BTK3-185KB3
3×225	3×100	3×1.19	B4	0.60	14.5	155BTK3-225KB4
690V ac						
3×50	3×40	3×2.03	B1	1.11	6.2	169BTK3-50KB1
3×75	3×60	3×1.64	B2	0.86	8.7	169BTK3-75KB2
3×100	3×80	3×1.39	B3	0.71	11.2	169BTK3-100KB3
3×125	3×100	3×1.28	B4	0.60	14.5	169BTK3-125KB4
850V ac						
3×30	3×30	3×2.36	B1	1.11	6.2	185BTK3-30KB1
3×45	3×50	3×1.85	B2	0.86	8.7	185BTK3-45KB2
3×65	3×70	3×1.50	B3	0.71	11.2	185BTK3-65KB3
3×80	3×80	3×1.38	B4	0.60	14.5	185BTK3-80KB4
1000V ac						
3×20	3×20	3×2.68	B1	1.11	6.2	210BTK3-20KB1
3×30	3×40	3×2.07	B2	0.86	8.7	210BTK3-30KB2
3×45	3×50	3×1.63	B3	0.71	11.2	210BTK3-45KB3
3×55	3×70	3×1.43	B4	0.60	14.5	210BTK3-55KB4

*Special design available to meet your requirements.