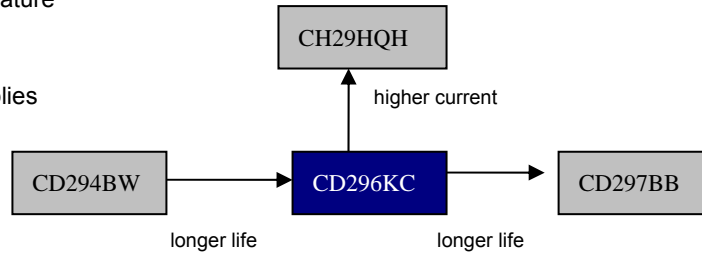


# CD 296 KC SERIES



## 3000h at 105°C

- Long Life at High Temperature
- High Ripple Current
- Professional Power Supplies



Items	Characteristics	
Operating Temperature Range(°C)	-40 ~ +105	-25~+105
Voltage Range (V)	16~ 100	160~550
Capacitance Range(µF)	56~47000	
Capacitance Tolerance (20°C,120Hz)	±20%	
Leakage Current (µA)	After 5 minutes at 20°C application of rated voltage, leakage current is not more than 0.01CV or 1.5mA, whichever is smaller C: Nominal Capacitance(µF) V: Rated Voltage(V)	
Dissipation Factor (20°C, 120Hz)	Rated Voltage(V)	16    25    35    50    63~100    160~400    420~550
	Tan δ(max)	0.50    0.40    0.35    0.30    0.20    0.15    0.20
Stability at Low Temperature (Impedance Ratio at 120Hz)	Rated Voltage(V)	16~100    160~200    250~500
	Z <sub>-25°C</sub> / Z <sub>+20°C</sub>	4
	Z <sub>-40°C</sub> / Z <sub>+20°C</sub>	15    -

	Useful Life		Load Life	Endurance Test	Shelf Life
Lifetime	5000h	>200000h	3000h	4000h	1000h
Leakage Current	Not more than specified value		Not more than specified value	Not more than specified value	Not more than specified value
Capacitance Change	Within ±30% of initial value		Within ±20% of initial value	Within ±20% of initial value	Within ±20% of initial value
Dissipation Factor	Not more than 300% of specified value		Not more than 200% of specified value	Not more than 200% of specified value	Not more than 200% of specified value
Condition:	U <sub>R</sub> I <sub>R</sub> 105°C	U <sub>R</sub> 1.4×I <sub>R</sub> 40°C	U <sub>R</sub> I <sub>R</sub> 105°C	U <sub>R</sub> I <sub>R</sub> = 0 105°C	U <sub>R</sub> = 0 I <sub>R</sub> = 0 105°C
Applied Voltage					<div style="border: 1px solid black; padding: 5px;">                     After test:                      U<sub>R</sub> to be applied                      for 30min&gt;24h                      before                      measurement                 </div>
Applied Current					
Applied Temperature					

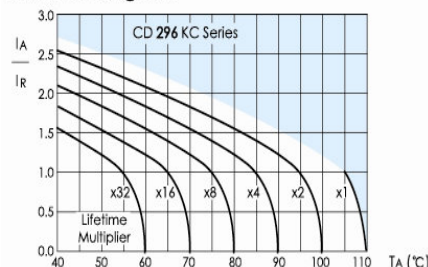
### Frequency Coefficient

Frequency Voltage(V)	50/60Hz	120Hz	300Hz	1kHz	10kHz	≥ 50kHz
≤ 100	0.95	1.00	1.07	1.13	1.19	1.20
160~250	0.87	1.00	1.17	1.32	1.45	1.50
≥ 315	0.80	1.00	1.16	1.30	1.41	1.43

### Temperature Coefficient

Temperature(°C)	+40	+55	+70	+80	+105
Coefficient	2.7	2.5	2.1	1.7	1.00

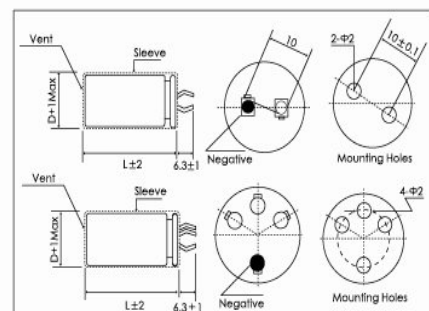
### Lifetime Diagram



I<sub>a</sub> = actual ripple current at 120Hz, I<sub>r</sub> = rated ripple current at 120Hz, 105°C  
Multiplier of Useful Life as a function of ambient temperature and ripple current load

### Dimensions

mm





# CD 296 KC SERIES

## Ratings for CD296 KC Series

U <sub>R</sub> (Surge Voltage) Code	Rated Capacitance	Max ESR 20°C, 120Hz	Typ ESR 20°C, 120Hz	Rated Ripple Current 105°C, Hz	Size ΦD x L	P/N
(v)	(μF)	(mΩ)	(mΩ)	(Arms)	(mm)	
16 (20) 1C	6800	98	68	1.6	22×25	ECS1CKC682M□□220025
	8200	81	57	1.80	25×25	ECS1CKC822M□□250025
	10000	66	46	1.99	22×30	ECS1CKC103M□□220030
		66	46	1.99	25×25	ECS1CKC103M□□250025
	12000	55	39	2.28	22×35	ECS1CKC123M□□220035
		55	39	2.3	25×30	ECS1CKC123M□□250030
		55	39	2.38	30×25	ECS1CKC123M□□300025
	15000	44	31	2.64	22×40	ECS1CKC153M□□220040
		44	31	2.68	25×35	ECS1CKC153M□□250035
	18000	37	26	2.98	22×45	ECS1CKC183M□□220045
		37	26	3.04	25×40	ECS1CKC183M□□250040
		37	26	3	30×30	ECS1CKC183M□□300030
		37	26	3.1	35×25	ECS1CKC183M□□350025
	22000	30	21	3.4	25×45	ECS1CKC223M□□250045
		30	21	3.39	30×35	ECS1CKC223M□□300035
	27000	25	17	3.81	25×50	ECS1CKC273M□□250050
		25	17	3.83	30×40	ECS1CKC273M□□300040
		25	17	3.74	35×30	ECS1CKC273M□□350030
	33000	20	14	4.3	30×45	ECS1CKC333M□□300045
		20	14	4.24	35×35	ECS1CKC333M□□350035
39000	17	12	4.74	30×50	ECS1CKC393M□□300050	
	17	12	4.72	35×40	ECS1CKC393M□□350040	
47000	14	10	5.27	35×45	ECS1CKC473M□□350045	
25 (32) 1E	4700	11	79	1.55	22×25	ECS1EKC472M□□220025
	5600	95	66	1.70	25×25	ECS1EKC562M□□250025
	6800	78	55	1.91	22×30	ECS1EKC682M□□220030
		78	55	1.91	25×25	ECS1EKC682M□□250025
	8200	65	45	2.14	22×35	ECS1EKC822M□□220035
		65	45	2.16	25×30	ECS1EKC822M□□250030
		65	45	2.25	30×25	ECS1EKC822M□□300025
	10000	53	37	2.4	22×40	ECS1EKC103M□□220040
		53	37	2.44	25×35	ECS1EKC103M□□250035
	12000	44	31	2.69	22×45	ECS1EKC123M□□220045
		44	31	2.74	25×40	ECS1EKC123M□□250040
		44	31	2.7	30×30	ECS1EKC123M□□300030
		44	31	2.8	35×25	ECS1EKC123M□□350025
	15000	35	25	3.15	25×45	ECS1EKC153M□□250045
		35	25	3.13	30×35	ECS1EKC153M□□300035
		35	25	3.22	35×30	ECS1EKC153M□□350030
	18000	30	21	3.54	25×50	ECS1EKC183M□□250050
		30	21	3.54	30×40	ECS1EKC183M□□300040
	22000	24	17	4.24	30×45	ECS1EKC223M□□300045
		24	17	3.96	35×35	ECS1EKC223M□□350035
27000	20	14	4.75	35×45	ECS1EKC273M□□350045	
33000	16	11	5.39	35×50	ECS1EKC333M□□350050	
35 (44) 1V	3300	14	99	1.43	22×25	ECS1VKC332M□□220025
	3900	11	83	1.65	22×30	ECS1VKC392M□□220030
	4700	99	69	1.78	25×25	ECS1VKC472M□□250025
	5600	83	58	2.02	22×35	ECS1VKC562M□□220035
		83	58	2.04	25×30	ECS1VKC562M□□250030
	6800	83	58	2.12	30×25	ECS1VKC562M□□300025
		68	48	2.28	22×40	ECS1VKC682M□□220040
	8200	68	48	2.31	25×35	ECS1VKC682M□□250035
8200	57	40	2.67	22×50	ECS1VKC822M□□220050	

U <sub>R</sub> (Surge Voltage) Code	Rated Capacitance	Max ESR 20°C, 120Hz	Typ ESR 20°C, 120Hz	Rated Ripple Current 105°C, 120Hz	Size ΦDxL	P/N
(v)	(μF)	(mΩ)	(mΩ)	(Arms)	(mm)	
63(79) 1J	1200	221	155	1.25	22×25	ECS1JKC122M□□220025
	1500	177	124	1.39	22×25	ECS1JKC152M□□220025
	1800	147	103	1.52	22×30	ECS1JKC182M□□220030
		147	103	1.52	25×25	ECS1JKC182M□□250025
	2200	121	84	1.73	22×35	ECS1JKC222M□□220035
		121	84	1.75	25×30	ECS1JKC222M□□250030
	2700	98	69	1.97	22×40	ECS1JKC272M□□220040
		98	69	1.99	25×35	ECS1JKC272M□□250035
		98	69	1.93	30×25	ECS1JKC272M□□300025
	3300	80	56	2.32	22×50	ECS1JKC332M□□220050
		80	56	2.27	25×40	ECS1JKC332M□□250040
		80	56	2.24	30×30	ECS1JKC332M□□300030
		80	56	2.41	35×25	ECS1JKC332M□□350025
	3900	68	48	2.54	25×45	ECS1JKC392M□□250045
		68	48	2.55	30×35	ECS1JKC392M□□300035
	4700	57	40	2.88	25×50	ECS1JKC472M□□250050
		57	40	2.9	30×40	ECS1JKC472M□□300040
		57	40	2.83	35×30	ECS1JKC472M□□350030
	5600	47	33	3.28	30×45	ECS1JKC562M□□300045
		47	33	3.24	35×35	ECS1JKC562M□□350035
6800	39	27	3.73	30×50	ECS1JKC682M□□300050	
	39	27	3.71	35×40	ECS1JKC682M□□350040	
8200	32	23	4.16	35×45	ECS1JKC822M□□350045	
10000	27	19	4.69	35×50	ECS1JKC103M□□350050	
80(100) 1K	820	324	227	1.11	22×25	ECS1KKC821M□□220025
	1000	265	186	1.25	22×25	ECS1KKC102M□□220025
	1200	221	155	1.39	22×30	ECS1KKC122M□□220030
		221	155	1.39	25×25	ECS1KKC122M□□250025
	1500	177	124	1.61	22×35	ECS1KKC152M□□220035
		177	124	1.62	25×30	ECS1KKC152M□□250030
	1800	147	103	1.83	22×40	ECS1KKC182M□□220040
		147	103	1.81	30×25	ECS1KKC182M□□300025
	2200	121	84	2.09	22×45	ECS1KKC222M□□220045
		121	84	2.01	25×35	ECS1KKC222M□□250035
		121	84	2.1	30×30	ECS1KKC222M□□300030
		121	84	2.17	35×25	ECS1KKC222M□□350025
	2700	98	69	2.43	25×45	ECS1KKC272M□□250045
		98	69	2.43	30×35	ECS1KKC272M□□300035
	3300	80	56	2.76	25×50	ECS1KKC332M□□250050
		80	56	2.78	30×40	ECS1KKC332M□□300040
		80	56	2.71	35×30	ECS1KKC332M□□350030
	3900	68	48	3.12	30×45	ECS1KKC392M□□300045
		68	48	3.07	35×35	ECS1KKC392M□□350035
	4700	57	40	3.56	30×50	ECS1KKC472M□□300050
57		40	3.5	35×40	ECS1KKC472M□□350040	
5600	47	33	3.87	35×45	ECS1KKC562M□□350045	
6800	39	27	4.19	35×50	ECS1KKC682M□□350050	
100(125) 2A	560	474	332	1.07	22×25	ECS2AKC561M□□220025
	680	391	274	1.20	22×30	ECS2AKC681M□□220030
	820	324	227	1.35	22×30	ECS2AKC821M□□220030
		324	227	1.35	25×25	ECS2AKC821M□□250025
	1000	265	186	1.54	22×35	ECS2AKC102M□□220035
		265	186	1.56	25×30	ECS2AKC102M□□250030
	1200	221	155	1.74	22×40	ECS2AKC122M□□220040

# CD 296 KC SERIES



50 (63) 1H	10000	57	40	2.6	25×40	ECS1VKC822M□□250040	160(200) 2C	1500	221	155	1.76	25×35	ECS2AKC122M□□250035
		57	40	2.56	30×30	ECS1VKC822M□□300030			221	155	1.71	30×25	ECS2AKC122M□□300025
		57	40	2.78	35×25	ECS1VKC822M□□350025			177	124	1.99	22×45	ECS2AKC152M□□220045
	46	33	2.92	25×45	ECS1VKC103M□□250045	177			124	2.03	25×40	ECS2AKC152M□□250040	
	46	33	2.92	30×35	ECS1VKC103M□□300035	177			124	2	30×30	ECS2AKC152M□□300030	
	39	27	3.26	25×50	ECS1VKC123M□□250050	177			124	2.07	35×25	ECS2AKC152M□□350025	
	12000	39	27	3.28	30×40	ECS1VKC123M□□300040		1800	147	103	2.28	25×45	ECS2AKC182M□□250045
		39	27	3.2	35×30	ECS1VKC123M□□350030			147	103	2.27	30×35	ECS2AKC182M□□300035
		15000	31	22	3.74	30×45		ECS1VKC153M□□300045	2200	121	84	2.57	25×50
	31		22	3.69	35×35	ECS1VKC153M□□350035		121		84	2.59	30×40	ECS2AKC222M□□300040
	18000	26	18	4.16	35×40	ECS1VKC183M□□350040		121		84	2.52	35×30	ECS2AKC222M□□350030
	22000	21	15	4.92	35×50	ECS1VKC223M□□350050		2700	98	69	2.94	30×45	ECS2AKC272M□□300045
	1800	22	155	1.31	22×25	ECS1HKC182M□□220025			98	69	2.9	35×35	ECS2AKC272M□□350035
		2200	18	127	1.45	22×30		ECS1HKC222M□□220030	3300	80	56	3.32	30×50
	2700		14	103	1.7	22×30		ECS1HKC272M□□220030		80	56	3.31	35×40
		3300	14	103	1.7	25×25		ECS1HKC272M□□250025	3900	68	48	3.69	35×45
	3900		12	84	1.98	22×35		ECS1HKC332M□□220035		4700	57	40	4.14
		4700	12	84	2	25×30		ECS1HKC332M□□250030	4700	330	603	422	1.16
3900	10		72	2.25	22×40	ECS1HKC392M□□220040	390	510		357	1.43	22×30	ECS2CKC391M□□220030
	10		72	2.28	25×35	ECS1HKC392M□□250035	470	424		296	1.52	22×35	ECS2CKC471M□□220035
5600	10	72	2.22	30×25	ECS1HKC392M□□300025	424		296	1.55	25×25	ECS2CKC471M□□250025		
	6800	85	59	2.56	22×45	ECS1HKC472M□□220045	560	355	249	1.62	22×40	ECS2CKC561M□□250040	
		85	59	2.58	30×30	ECS1HKC472M□□300030		355	249	1.73	25×30	ECS2CKC561M□□250030	
85		59	2.67	35×25	ECS1HKC472M□□350025	680		293	205	1.7	22x45	ECS2CKC681M□□220045	
8200	71	50	2.89	22×50	ECS1HKC562M□□220050		293	205	1.81	25x35	ECS2CKC681M□□250035		
	71	50	2.81	25×40	ECS1HKC562M□□250040		293	205	1.82	30x25	ECS2CKC681M□□300025		
	71	50	2.95	30×35	ECS1HKC562M□□300035	820	243	170	1.91	22x50	ECS2CKC821M□□220050		
10000	59	41	3.37	25×50	ECS1HKC682M□□250050		243	170	1.98	25x40	ECS2CKC821M□□250040		
	59	41	3.39	30×40	ECS1HKC682M□□300040		243	170	1.98	30x30	ECS2CKC821M□□300030		
	59	41	3.31	35×30	ECS1HKC682M□□350030		243	170	1.93	35x25	ECS2CKC821M□□350025		
12000	49	34	3.71	30x45	ECS1HKC822M□□300045	1000	199	139	2.04	25x45	ECS2CKC102M□□250045		
	49	34	3.66	35x35	ECS1HKC822M□□350035		199	139	2.14	30x35	ECS2CKC102M□□300035		
180(22) 5)2K	10000	40	28	4.09	30x50	ECS1HKC103M□□300050	1200	166	116	2.12	25x50	ECS2CKC122M□□250050	
		40	28	4.07	35x40	ECS1HKC103M□□350040		166	116	2.22	30x40	ECS2CKC122M□□300040	
180(22) 5)2K	12000	33	23	4.5	35x45	ECS1HKC123M□□350045		166	116	2.4	35x30	ECS2CKC122M□□350030	

## Ratings for CD296 KC Series

U <sub>r</sub> (Surge Voltage) Code	Rated Capacitance	Max ESR 20°C, 120Hz	Typ ESR 20°C, 120Hz	Rated Ripple Current 105°C, 120Hz	Size ΦD x L	P/N
(v)	(μF)	(mΩ)	(mΩ)	(Arms)	(mm)	-
160(20) 0)2C	1500	133	93	2.46	30×45	ECS2CKC152M□□300045
		133	93	2.53	35×35	ECS2CKC152M□□350035
	1800	111	77	2.98	35×45	ECS2CKC182M□□350045
	2200	91	63	3.1	35×50	ECS2CKC222M□□350050
	2700	74	51	3.92	35×60	ECS2CKC272M□□350060
	3300	60	42	4.63	35×70	ECS2CKC332M□□350070
180(22) 5)2K	270	737	516	1.08	22×25	ECS2KKC271M□□220025
	330	603	422	1.3	22×30	ECS2KKC331M□□220030
	390	510	357	1.35	25×25	ECS2KKC391M□□250025
	470	424	296	1.5	22×35	ECS2KKC471M□□220035
		424	296	1.62	25×30	ECS2KKC471M□□250030
	560	355	249	1.62	22×40	ECS2KKC561M□□220040
		355	249	1.69	25×35	ECS2KKC561M□□250035

U <sub>r</sub> (Surge Voltage) Code	Rated Capacitance	Max ESR 20°C, 120Hz	Typ ESR 20°C, 120Hz	Rated Ripple Current 105°C, 120Hz	Size ΦDxL	P/N
(v)	(μF)	(mΩ)	(mΩ)	(Arms)	(mm)	-
400 (450) 2G	68	2927	1522	0.47	22×25	ECS2GKC680M□□220025
		2427	1262	0.56	22×30	ECS2GKC820M□□220030
	82	2427	1262	0.56	25×25	ECS2GKC820M□□250025
		1990	1035	0.62	22×30	ECS2GKC101M□□220030
	120	1659	863	0.66	22×35	ECS2GKC121M□□220035
		1659	863	0.68	25×30	ECS2GKC121M□□250030
		1659	863	0.70	30×25	ECS2GKC121M□□300025
	150	1327	690	0.73	22×40	ECS2GKC151M□□220040
		1327	690	0.73	25×35	ECS2GKC151M□□250035
	180	1106	575	0.78	22×45	ECS2GKC181M□□220045
		1106	575	0.82	25×40	ECS2GKC181M□□250040
		1106	575	0.83	30×30	ECS2GKC181M□□300030
220	905	471	0.87	25×45	ECS2GKC221M□□250045	



# CD 296 KC SERIES

200(250)2D	680	355	249	1.67	30×25	ECS2KKC561M□□300025	420(470)2X	905	471	0.96	30×35	ECS2GKC221M□□300035		
		293	205	1.76	22×50	ECS2KKC681M□□220050		270	737	383	0.94	25×50	ECS2GKC271M□□250050	
		293	205	1.72	25×40	ECS2KKC681M□□250040		737	383	0.95	30×40	ECS2GKC271M□□300040		
		293	205	1.74	30×30	ECS2KKC681M□□300030		737	383	0.91	35×30	ECS2GKC271M□□350030		
		293	205	1.92	35×25	ECS2KKC681M□□350025		330	603	314	1.11	30×45	ECS2GKC331M□□300045	
	820	243	170	1.78	25×45	ECS2KKC821M□□250045		603	314	1.13	35×35	ECS2GKC331M□□350035		
		243	170	1.85	30×35	ECS2KKC821M□□300035		390	510	265	1.15	30×50	ECS2GKC391M□□300050	
	1000	199	139	1.91	25×50	ECS2KKC102M□□250050		510	265	1.26	35×40	ECS2GKC391M□□350040		
		199	139	2.01	30×40	ECS2KKC102M□□300040		470	424	220	1.31	35×45	ECS2GKC471M□□350045	
		199	139	2.16	35×30	ECS2KKC102M□□350030		560	355	185	1.5	35×50	ECS2GKC561M□□350050	
	1200	166	116	2.19	30×45	ECS2KKC122M□□300045		680	293	153	1.9	35×55	ECS2GKC681M□□350055	
		166	116	2.34	35×35	ECS2KKC122M□□350035		820	242	126	2.2	35×60	ECS2GKC821M□□350060	
	1500	133	93	2.36	30×50	ECS2KKC152M□□300050		242	126	2.2	40×50	ECS2GKC821M□□400050		
		133	93	2.56	35×40	ECS2KKC152M□□350040		1000	199	139	2.6	35×75	ECS2GKC102M□□350075	
	1800	111	77	2.67	35×45	ECS2KKC182M□□350045		199	139	2.6	40×60	ECS2GKC102M□□400060		
	2200	91	63	3.4	35×55	ECS2KKC222M□□350055		68	2927	1522	0.5	22×25	ECS2XKC680M□□220025	
	2700	74	52	4	35×65	ECS2KKC272M□□350065		82	2427	1262	0.6	22×30	ECS2XKC820M□□220030	
	250(300)2E	220	905	633	1.08	22×25		ECS2DKC221M□□220025	100	1990	1035	0.65	22×35	ECS2XKC101M□□220035
		330	603	422	1.3	22×30		ECS2DKC331M□□220030	120	1659	863	0.7	22×40	ECS2XKC121M□□220040
			603	422	1.35	25×25		ECS2DKC331M□□250025	100	1659	863	0.72	25×30	ECS2XKC121M□□250030
390		510	357	1.41	22×35	ECS2DKC391M□□220035	150	1327	690	0.75	22×45	ECS2XKC151M□□220045		
470		424	296	1.5	22×40	ECS2DKC471M□□220040	1327	690	0.8	25×35	ECS2XKC151M□□250035			
		424	296	1.47	25×30	ECS2DKC471M□□250030	180	1106	575	0.85	25×40	ECS2XKC181M□□250040		
		424	296	1.56	30×25	ECS2DKC471M□□300025	1106	575	0.85	30×30	ECS2XKC181M□□300030			
560		355	249	1.58	22×45	ECS2DKC561M□□220045	220	905	471	0.9	25×45	ECS2XKC221M□□250045		
		355	249	1.60	25×35	ECS2DKC561M□□250035	905	471	0.96	30×35	ECS2XKC221M□□300035			
680		293	205	1.78	22×50	ECS2DKC681M□□220050	270	737	383	1.05	25×50	ECS2XKC271M□□250050		
		293	205	1.8	25×40	ECS2DKC681M□□250040	737	383	1.06	30×40	ECS2XKC271M□□300040			
		293	205	1.82	30×30	ECS2DKC681M□□300030	330	603	314	1.14	30×45	ECS2XKC331M□□300045		
		293	205	1.86	35×25	ECS2DKC681M□□350025	603	314	1.2	35×35	ECS2XKC331M□□350035			
820		243	170	1.97	25×50	ECS2DKC821M□□250050	390	510	265	1.25	30×50	ECS2XKC391M□□300050		
		243	170	1.99	30×35	ECS2DKC821M□□300035	510	265	1.26	35×40	ECS2XKC391M□□350040			
		243	170	2.07	35×30	ECS2DKC821M□□350030	470	424	220	1.31	35×45	ECS2XKC471M□□350045		
1000		199	139	2.17	30×45	ECS2DKC102M□□300045	560	355	185	1.5	35×50	ECS2XKC561M□□350050		
		199	139	2.22	35×35	ECS2DKC102M□□350035	680	293	153	1.9	35×55	ECS2XKC681M□□350055		
1200		166	116	2.32	30×50	ECS2DKC122M□□300050	820	242	126	2.2	35×60	ECS2XKC821M□□350060		
		166	116	2.42	35×40	ECS2DKC122M□□350040	56	4739	2370	0.47	22×25	ECS2WKC560M□□220025		
1500	133	93	2.59	35×45	ECS2DKC152M□□350045	68	3903	1951	0.56	22×30	ECS2WKC680M□□220030			
1800	111	77	2.7	35×50	ECS2DKC182M□□350050	3903	1951	0.56	25×25	ECS2WKC680M□□250025				
2200	91	63	3.23	35×60	ECS2DKC222M□□350060	82	3237	1618	0.64	22×35	ECS2WKC821M□□220035			
250(300)2E	180	1106	774	0.94	22×25	ECS2EKC181M□□220025	100	2654	1327	0.7	22×40	ECS2WKC101M□□220040		
	220	905	633	1.1	22×30	ECS2EKC221M□□220030	2654	1327	0.7	25×30	ECS2WKC101M□□250030			
		905	633	1.15	25×25	ECS2EKC221M□□250025	120	2212	1106	0.73	22×45	ECS2WKC121M□□220045		
	270	737	516	1.13	22×35	ECS2EKC271M□□220035	2212	1106	0.73	25×35	ECS2WKC121M□□250035			
	330	603	422	1.2	22×40	ECS2EKC331M□□220040	150	1769	885	0.80	22×50	ECS2WKC151M□□220050		
		603	422	1.3	25×30	ECS2EKC331M□□250030	1769	885	0.82	25×40	ECS2WKC151M□□250040			
		603	422	1.3	30×25	ECS2EKC331M□□300025	1769	885	0.83	30×30	ECS2WKC151M□□300030			
	390	510	357	1.41	22×45	ECS2EKC391M□□220045	180	1474	737	0.87	25×45	ECS2WKC181M□□250045		
		510	357	1.42	25×35	ECS2EKC391M□□250035	1474	737	0.86	30×35	ECS2WKC181M□□300035			
	470	424	296	1.48	22×50	ECS2EKC471M□□220050	220	1206	603	0.94	25×50	ECS2WKC221M□□250050		
		424	296	1.47	25×40		1206	603	0.95	30×40	ECS2WKC221M□□300040			
		424	296	1.51	30×30	ECS2EKC471M□□300030	1206	603	0.91	35×30	ECS2WKC221M□□350030			
		424	296	1.50	35×25	ECS2EKC471M□□350025	270	983	492	1.11	30×45	ECS2WKC271M□□300045		
	560	355	249	1.59	25×45	ECS2EKC561M□□250045	983	492	1.13	35×35	ECS2WKC271M□□350035			
		355	249	1.57	30×35	ECS2EKC561M□□300035	330	804	402	1.15	30×50	ECS2WKC331M□□300050		
		355	249	1.56	35×30	ECS2EKC561M□□350030	804	402	1.26	35×40	ECS2WKC331M□□350040			
	680	293	205	1.66	25×50	ECS2EKC681M□□250050	390	681	340	1.31	35×45	ECS2WKC391M□□350045		
		293	205	1.68	30×40	ECS2EKC681M□□300040	470	565	282	1.5	35×50	ECS2WKC471M□□350050		
	820	243	170	1.83	30×45	ECS2EKC821M□□300045	560	473	237	1.7	35×55	ECS2WKC561M□□350055		
		243	170	1.82	35×35	ECS2EKC821M□□350035	680	391	196	2.0	35×60	ECS2WKC681M□□350060		
1000	199	139	1.87	30×50	ECS2EKC102M□□300050	391	196	2.0	40×50	ECS2WKC681M□□400050				
	199	139	1.99	35×40	ECS2EKC102M□□350040	820	324	162	2.2	35×65	ECS2WKC821M□□350065			

