

▲主要应用/Application

广泛应用于 APF ,SVG 光伏逆变器, 风电变流器, 逆变电源, 变频器等设备中起直流支撑和滤波。

▲产品特点/Characteristics

电介质：聚丙烯薄膜

结构：金属化膜干式结构

封装：金属铝外壳,阻燃(UL 94V-0)环氧封装

引出：镀锡铜螺母或螺杆引出

高稳定性

低 ESR,ESL

具有自愈性

Dielectric: Polypropylene film

Construction: Extended metalized r film, dry constructor

Coating: Aluminum case with resin sealing.

Flame retardant execution(UL 94V-0)

Terminals: Copper nut or screw leads

High stability

Low ESR,ESL

Self healing



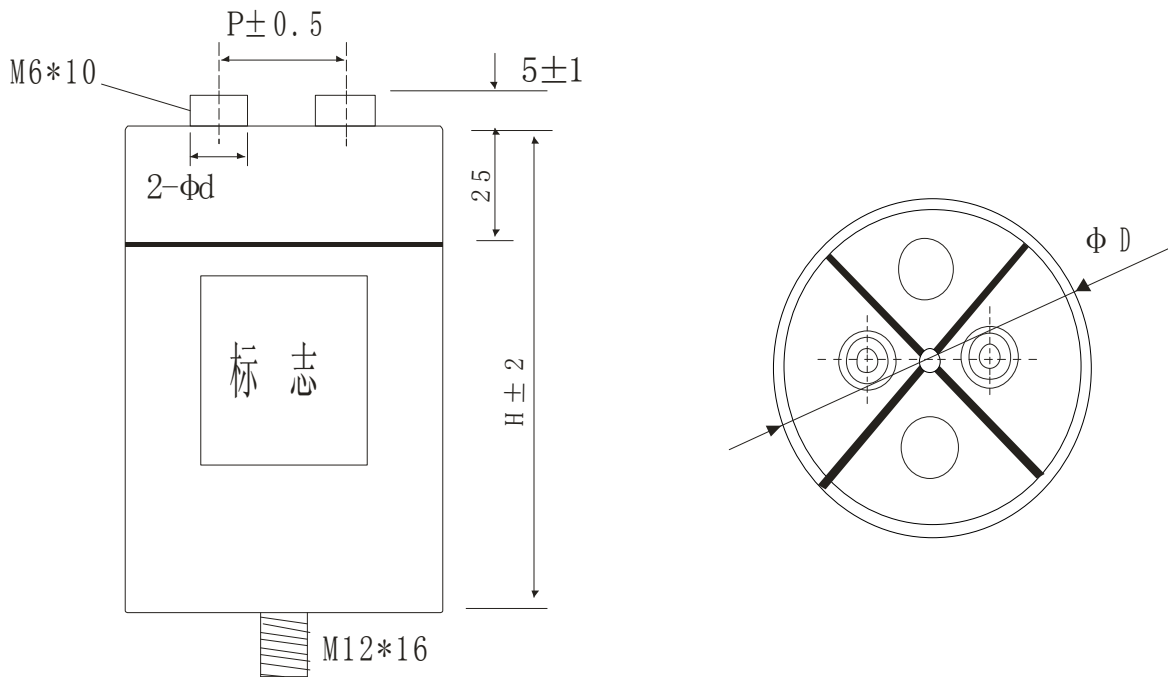
▲技术性能/Specifications

引用标准/Reference standards	IEC 61071 60068
工作温度范围/Operating temperature range	-40~85℃
容量范围/Capacitance	33~3200μF
额定电压/ Rated Voltage	800 -- 4000 VDC
容量偏差 /Tolerance	±5%, ±10%
极间耐电压 /Test voltage between terminals	1.5Ur(DC) 10s 25±5℃
极壳耐电压/ Test voltage between terminals and case	3000V 50Hz 60S, 25±5℃
损耗角正切/Dissipation factor	$tg\delta \leq 1 \times 10^{-3}$ at 25±5℃ , 100Hz
绝缘电阻/Insulation resistance	$C \cdot IR \geq 5000S$, at 100VDC, 25±5℃, 60S
预期寿命/Life expectancy	100000h at Ur and 70℃

▲过压运行/Protection against over voltages

1.1×Un	30%of the service period
1.15×Un	30min/d
1.2×Un	5min/d
1.3×Un	1min/d
1.5×Un	100ms no more than 1000 times

▲外形图/Outline drawing



Case	Output		Stud mounting	
	d	P	S	Torque
D=76,86	14	32	M12×16	8.0N.M Max
D=116	14	50		
D=136	16	50		

▲Part Numbering System

FG	629	#	801	-1
系列 Type	容量 Capacitance	误差 Tolerance	电压 Voltage	尺寸 Size
FG	629=29uf	K= ±10%	801=800vdc	1
	729=290uf	J= ±5%	112=1100vdc	2
	829=2900uf		362=3200vdc	3

Cap (UF)	D (mm)	H (mm)	Ipeak (KA)	Irms max (A)	ESR (MΩ)	Ls (nH)	Rth (k/W)	Wn (Ws)	Weighr (kg)	Part number
			Un 800v.DC		Us 1050vDC		Ur 200vAC			
290	76	120	3.3	63	1.2	45	3.9	106	0.65	FG729#801-1
380	86	145	3.3	74	1.5	55	2.6	163	1.1	FG738#801-1
400	76	120	1.9	34	3.5	65	4.1	115	0.65	FG740#801-1
430	76	120	3.0	40	1.4	50	3.2	128	0.65	FG743#801-1
480	86	120	4.7	74	0.8	45	3.3	145	0.85	FG748#801-1
520	86	145	4.3	76	1.1	45	2.9	180	1.1	FG752#801-1
550	86	145	4.5	56	1.6	65	2.6	150	1.1	FG755#801-1
580	86	145	4.6	66	1.2	55	2.4	220	1.3	FG758#801-1
630	86	225	3.7	56	1.8	65	2.2	229	1.3	FG763#801-1
650	86	225	4.7	78	1.5	60	3.0	300	1.7	FG765#801-1
720	116	125	8.6	95	0.8	50	2.2	427	1.7	FG772#801-1
750	86	225	4.9	80	1.4	60	1.8	305	1.7	FG775#801-1
800	86	225	6.7	82	1.5	60	2.1	325	1.7	FG780#801-1
980	116	125	9.7	96	0.9	50	1.7	600	1.7	FG798#801-1
1100	116	150	8.2	95	0.7	45	2.6	335	2.1	FG811#801-1
1200	116	150	12.9	103	0.8	65	1.6	798	2.1	FG812#801-1
1200	116	180	12.9	103	0.85	65	3.6	798	2.4	FG812#801-2
1500	116	180	13.2	103	1.0	50	3.4	800	2.4	FG815#801-1
1800	116	230	13.3	105	0.8	65	2.7	800	4.2	FG818#801-1
3200	136	295	13.5	110	1.0	65	3.0	850	4.5	FG832#801-1

Cap (UF)	D (mm)	H (mm)	Ipeak (KA)	Irms max (A)	ESR (MΩ)	Ls (nH)	Rth (k/W)	Wn (Ws)	Weighr (kg)	Part number
			Un 900v.DC		Us 1350vDC		Ur 200vAC			
290	76	125	3.3	60	1.3	41	3.6	151	0.74	FG729#901-1
380	76	125	3.4	61	1.7	51	2.6	232	0.75	FG738#901-1
400	76	125	1.6	33	3.6	61	3.8	159	0.71	FG740#901-1
450	76	145	3.2	61	1.2	46	3.1	183	0.84	FG745#901-1
480	86	125	4.4	71	0.8	41	3.2	199	0.94	FG748#901-2
520	86	120	4.2	72	1.2	46	2.8	244	0.91	FG752#901-1
560	86	175	2.1	40	3.0	61	3.4	212	1.0	FG756#901-1
580	86	175	4.5	73	1.4	50	2.3	305	1.1	FG758#901-1
630	86	145	3.1	63	2.1	51	1.9	217	1.2	FG763#901-1
650	86	145	4.0	53	1.7	61	2.8	406	1.3	FG765#901-1
720	86	175	8.7	90	0.8	46	2.0	589	1.4	FG772#901-1
780	76	225	4.2	76	1.6	61	1.7	426	1.4	FG778#901-1
980	116	125	8.0	92	0.8	51	1.6	811	1.7	FG798#901-1
1100	116	150	7.7	88	0.8	61	2.4	447	1.7	FG811#901-1
1200	116	140	11.0	99	0.8	61	1.4	1115	2.1	FG812#901-1

1200	116	180	11.0	99	0.9	61	3.6	1115	2.4	FG812#901-2
1500	116	180	11.5	100	1.1	62	3.4	1116	2.4	FG815#901-1
1800	116	230	12.0	100	0.8	63	2.7	1118	2.8	FG818#901-1
2000	116	230	13.1	107	1.0	65	1.7	1201	3.0	FG820#901-1
2800	136	230	15.2	111	1.1	68	1.5	1213	4.1	FG828#901-1
3200	136	295	16.1	120	1.2	68	1.7	1300	4.5	FG832#901-1

Cap (UF)	D (mm)	H (mm)	Ipeak (KA)	Irms max (A)	ESR (MΩ)	Ls (nH)	Rth (k/W)	Wn (Ws)	Weighr (kg)	Part number
			Un 1100v DC		Us 1650vDC		Ur 250vAC			
180	76	120	1.3	26	5.5	65	3.8	149	0.7	FG718#112-1
250	76	120	1.7	32	4.1	65	3.6	199	0.7	FG725#112-1
300	86	120	3.2	61	1.8	55	2.5	285	0.9	FG730#112-1
310	86	120	3.2	60	1.8	55	2.6	286	0.9	FG731#112-1
330	86	120	6.5	75	0.8	50	2.6	428	0.9	FG733#112-1
360	86	130	3.5	44	2.2	65	2.8	385	1.1	FG736#112-1
420	86	135	5.0	49	1.6	65	2.7	537	1.1	FG742#112-1
420	86	155	6.3	76	0.9	55	2.1	546	1.2	FG742#112-2
450	86	155	9.5	83	0.9	65	1.6	1022	1.5	FG745#112-1
500	86	174	6.7	76	1.2	65	1.8	723	1.3	FG750#112-1
620	116	125	13.4	113	0.5	55	1.3	1147	1.8	FG762#112-1
750	116	150	8.9	83	0.7	55	1.9	767	2.2	FG775#112-1
750	116	180	14.3	118	0.6	65	1.1	1531	2.3	FG775#112-2
780	116	150	14.4	118	0.9	65	3.6	1531	2.2	FG778#112-1
920	116	180	14.5	119	1.1	65	3.4	1532	2.3	FG792#112-1
1300	116	230	15.6	122	0.9	65	2.7	1541	3.0	FG812#112-1
1900	136	260	15.7	123	0.5	65	2.0	1549	4.7	FG819#112-1
2200	136	285	15.7	123	0.6	70	1.8	1549	4.5	FG822#112-1
2600	136	335	15.8	125	0.7	70	1.3	1550	6.0	FG826#112-1

Cap (UF)	D (mm)	H (mm)	Ipeak (KA)	Irms max (A)	ESR (MΩ)	Ls (nH)	Rth (k/W)	Wn (Ws)	Weighr (kg)	Part number
			Un 1300vDC		Us 1950vDC		uR 300vAC			
120	76	120	1.3	26	5.5	65	3.8	149	0.7	FG712#132-1
170	76	120	1.7	32	4.1	65	3.6	199	0.7	FG717#132-1
170	86	120	6.5	75	0.8	50	2.6	428	0.9	FG717#132-2
210	86	120	3.2	61	1.8	55	2.5	285	0.9	FG721#132-1
210	86	145	3.5	44	2.2	65	2.8	385	1.0	FG721#132-2
240	86	145	3.7	63	2.1	65	1.9	397	1.0	FG724#132-1
230	86	120	5.0	49	1.6	65	2.7	537	1.1	FG723#132-1
270	86	145	6.3	76	0.9	55	2.1	546	1.2	FG727#132-1

270	86	175	6.7	76	1.2	65	1.8	723	1.3	FG727#132-2
280	86	175	8.9	83	0.7	55	1.9	767	1.3	FG728#132-1
320	86	175	9.5	83	0.9	65	1.6	1022	1.3	FG732#132-1
320	116	125	14.3	118	0.6	65	1.1	1531	1.7	FG732#132-2
470	86	225	14.7	118	1.6	60	5.0	1535	1.7	FG747#132-1
520	116	150	13.4	113	0.5	55	1.3	1147	2.1	FG752#132-1
520	116	180	15.1	113	1.8	65	4.9	1540	2.4	FG752#132-2
540	116	150	15.3	115	1.0	50	3.6	1542	1.8	FG754#132-1
630	116	180	15.4	121	1.2	60	3.4	1551	3.0	FG763#132-1
820	116	230	16	122	0.9	50	2.7	1560	3.1	FG782#132-1
900	136	180	10	132	0.9	50	2.6	1601	3.3	FG790#132-1
1200	136	230	11	133	1.0	60	2.3	1601	4.1	FG812#132-1
1400	136	260	15	140	0.8	60	1.9	1720	4.6	FG814#132-1
1800	136	335	17	156	0.9	60	1.7	1720	6.0	FG818#132-1

Cap (UF)	D (mm)	H (mm)	Ipeak (KA)	Irms max (A)	ESR (MΩ)	Ls (nH)	Rth (k/W)	Wn (Ws)	Weighr (kg)	Part number
Un 1500vDC Us 1950vDC uR 300vAC										
90	76	120	1.3	26	3.3	65	3.8	149	0.70	FG690#152-1
120	76	120	1.7	32	4.4	65	3.6	199	0.70	FG712#152-1
150	76	145	3.2	61	4.9	55	2.5	285	0.75	FG715#152-1
150	76	175	3.5	44	2.4	65	2.8	385	1.00	FG715#152-2
170	76	175	3.7	63	2.5	65	1.9	397	1.00	FG717#152-1
120	86	120	6.5	75	2.6	50	2.6	428	0.92	FG712#152-2
170	86	120	5.0	49	3.3	65	2.7	537	1.00	FG717#152-2
200	86	145	6.3	76	3.0	55	2.1	546	1.10	FG720#152-1
210	86	145	6.7	76	2.0	65	1.8	723	1.25	FG721#152-1
240	86	174	8.9	83	2.1	55	1.9	767	1.30	FG724#152-1
380	86	225	9.5	83	1.5	65	1.6	1022	1.80	FG738#152-1
230	116	125	13.4	113	1.4	55	1.3	1147	1.75	FG723#152-1
320	116	125	14.3	118	1.9	65	1.1	1531	1.75	FG732#152-1
390	116	150	14.7	118	2.1	60	5.0	1535	2.00	FG739#152-1
420	116	180	15.1	113	4.2	65	4.9	1540	2.40	FG742#152-1
470	116	180	15.3	115	1.3	50	3.6	1542	2.40	FG747#152-1
600	116	230	15.4	121	1.0	60	3.4	1551	2.80	FG760#152-1

Cap (UF)	D (mm)	H (mm)	Ipeak (KA)	Irms max (A)	ESR (MΩ)	Ls (nH)	Rth (k/W)	Wn (Ws)	Weighr (kg)	Part number
Un 1900vDC Us 2850vDC uR 400vAC										
75	76	120	1.2	22	8.9	65	4.0	138	0.7	FG675#192-1
100	86	120	1.4	24	6.5	60	3.5	180	0.9	FG710#192-1

150	86	175	2.9	48	3.0	55	2.6	290	1.3	FG715#192-1
190	116	125	2.8	39	3.4	60	2.9	365	1.7	FG719#192-1
200	86	225	2,9	55	3.5	65	1.9	343	1.7	FG720#192-1
220	116	150	5.6	67	1.2	50	2.0	404	2.1	FG722#192-1
270	136	125	4.1	42	2.4	65	2.1	520	2.3	FG727#192-1
280	116	180	5.5	65	1.5	50	2.1	523	2.4	FG728#192-1
380	116	230	5.6	67	1.8	65	1,7	689	3.0	FG738#192-1
400	136	180	7.6	72	1.2	55	2.0	743	3.3	FG740#192-1
540	136	230	7.6	73	1.3	60	1.6	978	4.1	FG754#192-1
600	136	260	11.6	104	0.8	50	1.5	1086	4.6	FG760#192-1
800	136	335	11.9	109	1.0	65	1.5	1508	6.0	FG780#192-1

Cap (UF)	D (mm)	H (mm)	Ipeak (KA)	Irms max (A)	ESR (MΩ)	Ls (nH)	Rth (k/W)	Wn (Ws)	Weighr (kg)	Part number
Un 2500vDC Us 3750vDC uR 600vAC										
95	116	130	2.0	46	2.6	50	2.8	321	1.8	FG695#252-1
130	136	130	2.5	50	1.9	50	2.4	445	2.5	FG713#252-1
200	116	230	1.8	50	4.5	60	1.7	645	3.0	FG720#252-1
280	136	230	2.4	51	3.6	60	1.5	875	4.1	FG728#252-1

Cap (UF)	D (mm)	H (mm)	Ipeak (KA)	Irms max (A)	ESR (MΩ)	Ls (nH)	Rth (k/W)	Wn (Ws)	Weighr (kg)	Part number
Un 3600vDC Us 5400vDC uR 800Vac										
42	116	130	1.3	40	3.8	45	2.9	276	1.8	FG642#362-1
60	136	130	1.8	45	2.8	45	2.7	389	2.5	FG660#362-1
88	116	230	1.2	42	6.7	65	1.8	589	3.0	FG688#362-1
130	136	230	1.8	45	5.0	65	1.5	870	4.1	FG713#362-1

Cap (UF)	D (mm)	H (mm)	Ipeak (KA)	Irms max (A)	ESR (MΩ)	Ls (nH)	Rth (k/W)	Wn (Ws)	Weighr (kg)	Part number
Un 4000vDC Us 6000vDC uR 900vAC										
33	116	130	1.3	36	4.2	40	2.8	276	1.9	FG633#402-1
47	136	130	1.7	39	3.9	40	2.9	376	2.5	FG647#402-1
70	116	230	1.3	32	7.6	60	1.8	570	3.0	FG670#402-1
100	136	230	1.9	38	5.8	60	2.0	822	4.1	FG710#402-1