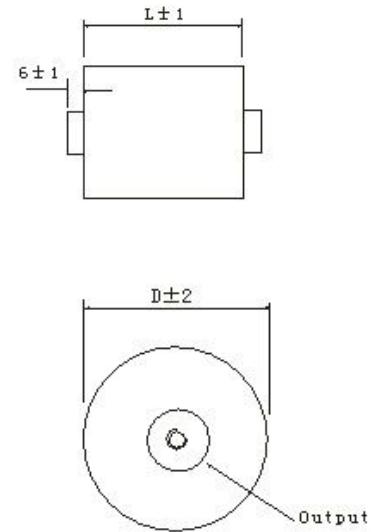
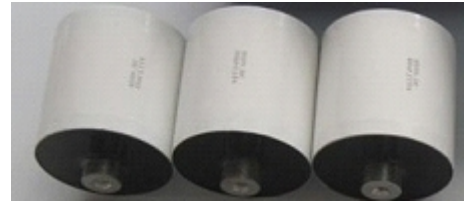


GENERAL TECHNICAL CHARACTERISTICS	
Reference standards :	IEC 61071 60068 60384
Climatic category:	40/85/56
Dielectric :	Polypropylene film
Construction :	Extended double-side metallized carrier film with internal series connection and metallized film
Features:	Low ESR, Low Ls, High current .High voltage .high stability . Self healing
Coating :	Polyester tape wrapping; UL94V-0 resin end fill
Leads:	Treaded insert M6 or M8
ELECTRICAL CHARACTERISTICS	
Working temperature :	-40 to + 85°C(max hotspot≤70°C)
Storage temperature :	-40 to + 85°C
Capacitance :	0.04 to 6μF
Rated Voltage:	1200v to5000Vdc
Dissipation factor:	<0.0005(1k Hz 20± 5°C)
Tolerance :	± 5%(J) ± 10%(K)
Life expectancy :	100,000 hours at Un and 70°C
TEST METHODS AND PERFORMANCES	
Test voltage between terminals and case :	3 KV 50Hz for 60 sec
Test voltage between terminals :	1.5Un applied for 10s at 25±5°C



▲Part Numbering System

212	SKD	105	#	37	P
Voltage	Type	Capacitance	Tolerance	Length	Screws
212=1200vdc	SKD	104=0.1uf	J= ±5%	37=L=37mm	P=M6
220=2000vdc		105=1uf	K= ±10%	54=L=54mm	Y=M8
250=5000vdc		106=10uf	M= ±20%		

▲Electrical specifications, ordering codes

Part Number	CAP μF	Dimension (mm)				du/dt v/μs	Ipeak A	ESR@ 1.0kHz	Irms@25C @10kHz
		L	D	T	Output				
Un1200Vdc Urms 500Vac									
212SKD105#37P	1	37	35	5.0	M6	1100	1100	2.3	30
212SKD155#37P	1.5	37	42	5.0	M6	1100	1650	2.2	35
212SKD205#37P	2	37	48	5.0	M6	900	1800	2.1	40
212SKD225#37P	2.2	37	50	5.0	M6	900	1980	2.1	43
212SKD305#37P	3	37	58	5.0	M6	800	2400	1.8	47
212SKD335#37P	3.3	37	61	5.0	M6	800	2640	1.7	50
212SKD405#37P	4	37	67	5.0	M6	600	2400	1.6	56

▲Electrical specifications, ordering codes

Part Number	CAP μF	Dimension (mm)				du/dt v/μs	Ipeak A	ESR@ 1.0kHz	Irms@45°C @10kHz
		L	D	T	Output				
Un1200Vdc Urms 500Vac									
212SKD475#37P	4.7	37	73	5.0	M6	600	2820	1.5	62
212SKD505#37P	5	37	76	5.5	M6	600	3000	1.4	65
212SKD605#37P	6	37	82	5.5	M6	600	3600	1.2	75
Un2000Vdc Urms 750Vac									
220SKD224#37P	0.22	37	38	5.0	M6	1500	330	2.8	27
220SKD304#37P	0.3	37	38	5.0	M6	1500	450	2.7	30
220SKD334#37P	0.33	37	38	5.0	M6	1500	495	2.7	32
220SKD404#37P	0.4	37	43	5.0	M6	1500	600	2.7	36
220SKD444#37P	0.44	37	45	5.0	M6	1500	660	2.6	38
220SKD474#37P	0.47	37	46	5.0	M6	1500	705	2.6	40
220SKD604#37P	0.6	37	51	5.0	M6	1500	900	2.5	45
220SKD704#37P	0.7	37	55	5.0	M6	1500	1050	2.4	48
220SKD904#37P	0.9	37	62	5.0	M6	1100	990	2.3	52
220SKD105#37P	1.0	37	65	5.0	M6	1100	1100	2.2	55
220SKD205#37P	2.0	40	73	5.0	M6	1100	1000	2.2	65
Un3000Vdc Urms 1200Vac									
230SKD204#40P	0.2	40	43	5.0	M6	1800	360	2.8	32
230SKD304#40P	0.3	40	52	5.0	M6	1800	540	2.6	38
230SKD404#40P	0.4	40	60	5.0	M6	1800	720	2.5	45
230SKD444#40P	0.44	40	62	5.0	M6	1800	792	2.5	48
230SKD474#40P	0.47	40	65	5.0	M6	1500	705	2.4	50
230SKD604#40P	0.6	40	73	5.0	M6	1500	900	2.2	58
230SKD654#40P	0.65	40	76	5.5	M6	1500	975	2.1	60
230SKD704#40P	0.7	40	79	5.5	M6	1500	1050	2	65
Un5000Vdc Urms 2000Vac									
250SKD203#54P	0.02	54	58	5.0	M6	3000	100	2.5	32
250SKD403#54P	0.04	54	58	5.0	M6	3000	120	2.2	35
250SKD403#54P	0.05	54	58	5.0	M6	3000	120	2.2	35
250SKD603#54P	0.06	54	66	5.0	M6	3000	180	2.2	45
250SKD803#54P	0.08	54	58	5.0	M6	3000	240	2.2	45
250SKD124#54P	0.12	54	70	5.0	M6	3000	360	2	50
250SKD144#54P	0.14	54	76	5.5	M6	3000	420	1.8	58
250SKD204#54Y	0.2	54	90	5.5	M8	3000	600	1.6	65
250SKD224#54Y	0.22	54	94	5.5	M8	3000	660	1.5	70

*Special design available to meet your requirements.