

GENERAL TECHNICAL CHARACTERISTICS

Reference standards :	IEC 61071
Dielectric :	Polypropylene film
Construction :	Dry construction, Non-inductive type
Coating :	Cylinder aluminum case.

ELECTRICAL CHARACTERISTICS

Operating temperature range :	- 40 to + 85 °C (Hotspot temperature)
Capacitance :	3*6.6 to 3*250µF
Rated Voltage :	400 to 1400VAC
Tolerance :	± 5% , ± 10%
Dissipation factor:	≤2×10 ⁻³ Measured at 100Hz and 20±5°C
Life expectancy :	30,000 hours at Urms and 70 °C (Hotspot temperature)

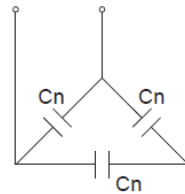
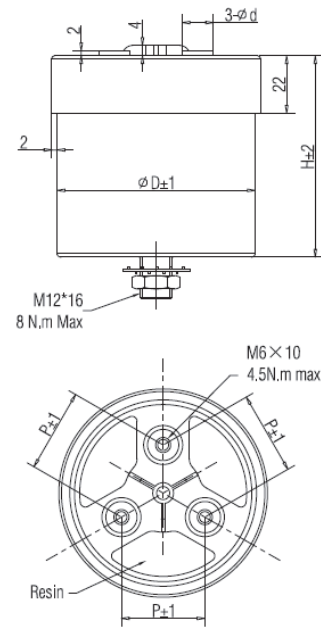
TEST METHODS AND PERFORMANCES

Dielectric strength:	2.15Urms (AC) applied for 10s at 20±5°C
Test voltage terminal to case :	3KVAC/50Hz for 60s
Insulation resistance :	≥10000 s, after 1 minute of electrification at 100VDC (20±5°C)

ORDERING CODE

Please refer to order code

D=76,86mm	D=96mm	D=116mm	D=136mm
d=12mm	d=14mm		d=16mm
P=32mm	P=40mm	P=50mm	P=60mm



Principal circuit diagram

Electrical specifications, ordering codes

Ordering Code	Cap (µF)	D (mm)	H (mm)	Ipeak (KA)	Irms@45°C @10KHz (A)	ESR@1.0K Hz (mΩ)	Ls (nH)	Rth (k/w)	Weight (kg)
Urms 400VAC Upeak 570V									
SMP-400-3×30-FS	3×30	76	137	1.2	3×42	3×1.9	80	3.6	0.8
SMP-400-3×40-FS	3×40	86	137	1.7	3×47	3×1.7	80	3.2	1.0
SMP-400-3×45-FS	3×45	76	182	1.9	3×43	3×2.2	90	3.1	1.1
SMP-400-3×55-FS	3×55	76	212	2.3	3×43	3×2.3	100	2.9	1.2
SMP-400-3×60-FS	3×60	86	182	2.5	3×47	3×1.9	90	2.8	1.3
SMP-400-3×75-FS	3×75	86	212	3.1	3×49	3×2.0	100	2.5	1.5
SMP-400-3×76-FS	3×76	96	182	3.2	3×54	3×1.8	90	2.4	1.6
SMP-400-3×95-FS	3×95	96	212	3.9	3×54	3×1.9	100	2.2	1.80
SMP-400-3×115-FS	3×115	116	182	4.8	3×64	3×1.6	90	1.9	2.3
SMP-400-3×140-FS	3×140	116	212	5.8	3×65	3×1.7	100	1.7	2.7
SMP-400-3×180-FS	3×180	116	257	7.5	3×66	3×1.8	110	1.6	3.2
SMP-400-3×160-FS	3×160	136	182	6.6	3×72	3×1.5	90	1.5	3.2
SMP-400-3×200-FS	3×200	136	212	8.3	3×74	3×1.6	100	1.4	3.7
SMP-400-3×250-FS	3×250	136	257	10.4	3×75	3×1.6	110	1.3	4.40
Urms 450VAC Upeak 640V									
SMP-450-3×23-FS	3×23	76	137	1.1	3×41	3×2.0	80	3.6	0.9
SMP-450-3×30-FS	3×30	86	137	1.4	3×45	3×1.8	80	3.2	1.1
SMP-450-3×35-FS	3×35	76	182	1.6	3×41	3×2.3	90	3.1	1.1
SMP-450-3×43-FS	3×43	76	212	2.0	3×41	3×2.5	100	2.9	1.2
SMP-450-3×47-FS	3×47	86	182	2.2	3×46	3×2.0	90	2.8	1.3
SMP-450-3×58-FS	3×58	86	212	2.7	3×47	3×2.2	100	2.5	1.5
SMP-450-3×60-FS	3×60	96	182	2.9	3×53	3×1.9	90	2.4	1.6
SMP-450-3×70-FS	3×70	96	212	3.3	3×53	3×2.0	100	2.2	1.9
SMP-450-3×90-FS	3×90	116	182	4.2	3×63	3×1.7	90	1.9	2.3

Electrical specifications, ordering codes

Ordering Code	Cap (μ F)	D (mm)	H (mm)	I _{peak} (KA)	I _{rms} @45°C @10KHz (A)	ESR@1.0K Hz (m Ω)	L _s (nH)	R _{th} (k/w)	Weight (kg)
Urms 450VAC Upeak 640V									
SMP-450-3x110-FS	3x110	116	212	5.1	3x64	3x1.7	100	1.7	2.7
SMP-450-3x140-FS	3x140	116	257	6.5	3x65	3x1.9	110	1.6	3.2
SMP-450-3x160-FS	3x160	136	212	7.4	3x73	3x1.6	100	1.4	3.7
SMP-450-3x200-FS	3x200	136	257	9.3	3x74	3x1.7	110	1.3	4.4
Urms 550VAC Upeak 780V									
SMP-550-3x18-FS	3x18	76	182	0.9	3x43	3x2.1	90	3.1	1.1
SMP-550-3x22-FS	3x22	76	212	1.1	3x43	3x2.3	100	2.9	1.2
SMP-550-3x23-FS	3x23	86	182	1.2	3x47	3x2.0	90	2.8	1.3
SMP-550-3x30-FS	3x30	86	212	1.5	3x49	3x2.1	100	2.5	1.5
SMP-550-3x31-FS	3x31	96	182	1.6	3x53	3x1.9	90	2.4	1.6
SMP-550-3x36-FS	3x36	96	212	1.9	3x53	3x2.0	100	2.2	1.8
SMP-550-3x47-FS	3x47	96	257	2.4	3x54	3x2.1	110	2.0	2.2
SMP-550-3x57-FS	3x57	116	212	2.9	3x63	3x1.8	100	1.7	2.6
SMP-550-3x73-FS	3x73	116	257	3.8	3x65	3x1.9	110	1.6	3.1
SMP-550-3x80-FS	3x80	136	212	4.1	3x71	3x1.7	100	1.4	3.6
SMP-550-3x100-FS	3x100	136	257	5.2	3x73	3x1.8	110	1.3	4.4
Urms 750VAC Upeak 1060V									
SMP-750-3x13-FS	3x13	76	182	0.9	3x42	3x2.2	90	3.1	1.1
SMP-750-3x16-FS	3x16	76	212	1.1	3x42	3x2.4	100	2.9	1.2
SMP-750-3x18-FS	3x18	86	182	1.3	3x46	3x2.0	90	2.8	1.3
SMP-750-3x22-FS	3x22	86	212		3x48	3x2.2	100	2.5	1.5
SMP-750-3x23-FS	3x23	96	182	1.7	3x52	3x1.9	90	2.4	1.6
SMP-750-3x27-FS	3x27	96	212	1.9	3x52	3x2.0	100	2.2	1.8
SMP-750-3x34-FS	3x34	116	182	2.4	3x61	3x1.8	90	1.9	2.2
SMP-750-3x42-FS	3x42	116	212	3.0	3x62	3x1.8	100	1.7	2.6
SMP-750-3x47-FS	3x47	136	182	3.4	3x69	3x1.7	90	1.5	3.2
SMP-750-3x55-FS	3x55	116	257	3.9	3x64	3x1.9	110	1.6	3.1
SMP-750-3x60-FS	3x60	136	212	4.3	3x71	3x1.7	100	1.4	3.6
Urms 850VAC Upeak 1200V									
SMP-850-3x10-FS	3x10	76	182	0.8	3x41	3x2.4	90	3.1	1.07
SMP-850-3x12-FS	3x12	76	212	1.0	3x41	3x2.6	100	2.9	1.24
SMP-850-3x14-FS	3x14	86	182	1.1	3x45	3x2.1	90	2.8	1.30
SMP-850-3x17-FS	3x17	86	212	1.4	3x47	3x2.2	100	2.5	1.50
SMP-850-3x20-FS	3x20	96	212	1.6	3x51	3x2.1	100	2.2	1.84
SMP-850-3x27-FS	3x27	96	257	2.2	3x52	3x2.3	110	2.0	2.16
SMP-850-3x32-FS	3x32	116	212	2.6	3x61	3x1.9	100	1.7	2.58
SMP-850-3x42-FS	3x42	116	257	3.4	3x63	3x2.0	110	1.6	3.07
SMP-850-3x46-FS	3x46	136	212	3.7	3x70	3x1.8	100	1.4	3.58
SMP-850-3x60-FS	3x60	136	257	4.9	3x72	3x1.8	110	1.3	4.25
Urms 1000VAC Upeak 1414									
SMP-1000-3x10-FS	3x10	86	212	1.3	3x44	3x2.5	100	2.5	1.5
SMP-1000-3x13-FS	3x13	96	212	1.6	3x49	3x2.3	100	2.2	1.8
SMP-1000-3x16-FS	3x16	116	182	2.0	3x59	3x1.9	90	1.9	2.3
SMP-1000-3x20-FS	3x20	116	212	2.5	3x59	3x2.0	100	1.7	2.6
SMP-1000-3x26-FS	3x26	116	257	3.3	3x61	3x2.1	110	1.6	3.1
SMP-1000-3x30-FS	3x30	136	212	3.8	3x69	3x1.8	100	1.4	3.6
SMP-1000-3x35-FS	3x35	136	257	4.4	3x69	3x2.0	110	1.3	4.4

Electrical specifications, ordering codes

Ordering Code	Cap (μ F)	D (mm)	H (mm)	I _{peak} (KA)	I _{rms@45°C} @10KHz (A)	ESR@1.0K Hz (m Ω)	Ls (nH)	R _{th} (k/w)	Weight (kg)
Urms 1200VAC Upeak 1700V									
SMP-1200-3x9-FS	3x9	96	212	1.4	3x48	3x2.4	100	2.2	1.8
SMP-1200-3x11-FS	3x11	116	182	1.7	3x57	3x2.0	90	1.9	2.3
SMP-1200-3x14-FS	3x14	116	212	2.1	3x58	3x2.1	100	1.7	2.6
SMP-1200-3x18-FS	3x18	116	257	2.7	3x59	3x2.3	110	1.6	3.1
SMP-1200-3x20-FS	3x20	136	212	3.0	3x67	3x1.9	100	1.4	3.6
SMP-1200-3x26-FS	3x26	136	257	3.9	3x68	3x2.0	110	1.3	4.3
Urms 1400VAC Upeak 1980V									
SMP-1400-3x6.6-FS	3x6.6	96	212	1.1	3x46	3x2.6	100	2.2	1.8
SMP-1400-3x10-FS	3x10	116	212	1.7	3x56	3x2.2	100	1.7	2.6
SMP-1400-3x13-FS	3x13	116	257	2.2	3x57	3x2.4	110	1.6	3.1
SMP-1400-3x15-FS	3x15	136	212	2.6	3x66	3x2.0	100	1.4	3.6
SMP-1400-3x19-FS	3x19	136	257	3.2	3x67	3x2.1	110	1.3	4.3